

Desktop Visual Timer – Black Silicone Case

SKU: GH2306BNG

Please read the Information for Use carefully before first use. Retain this Information for Use for future reference.

WARNINGS:



Adult supervision required



Keep batteries away from children



This product is not a toy

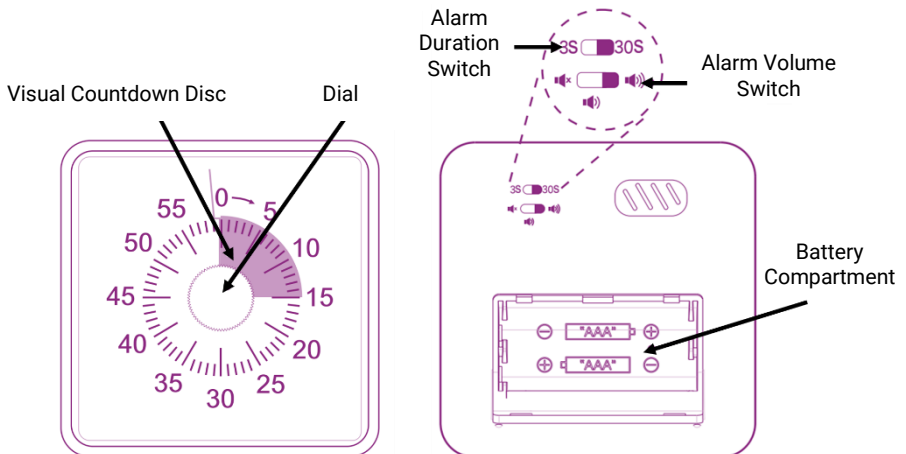
Important:

- Ensure the battery compartment is closed before use.
- Batteries should be replaced by a responsible adult.
- Periodically inspect batteries for signs of leakage.

Good to know:

- Powered by 2 x 1.5V AAA batteries (not included).
- Dimensions – (W) 8cm x (H) 8cm x (D) 5.1 cm.
- Net weight – 81.5g
- Made from ABS Plastic.
- Outer case made from silicone.

How to use:



Information for Use

To set the Desktop Visual Timer:

- Turn the dial clockwise to the desired time interval, this will start the Desktop Visual Timer.
- Do not turn the dial anticlockwise when the visual countdown disc is on the 0 position – this will damage the clockwork.

Alarm duration and volume:

- There are two alarm duration settings:



3S = 3 seconds.

3S 30S

30S = 30 seconds.

- There are three volume settings:



= Quiet mode/mute.



= Low volume.



= High volume.

Batteries:

- To insert the batteries, remove the silicone case and open the battery compartment.
- Insert the batteries, ensuring they are connected properly.
- Close the battery compartment.
- Replace the silicone case.
- When the battery level is low the Desktop Visual Timer will emit a fast DA DA DA sound.

Care instructions:

- Wipe gently with a soft dry cloth.
- Do not submerge in water.
- Store in a cool dry location.



Made in China



Imported by Bing International Ltd, Unit 14, Elgar Business Centre, WR2 6NJ on behalf of
Sensory Direct (UK) Ltd, Unit 65c, Blackpole Trading Estate West, Worcester, WR3 8TJ, UK.
www.sensorydirect.com